

# Lexmark MX611 Series Monochrome Laser Multifunction Printer

## Accomplish More Work. Automate Manual Tasks.

Power up your productivity with the Lexmark MX611 Series MFP. Its fast processor, print, copy, fax, and scan speeds, plus productivity solutions, help propel your business forwards. *Want more solutions? Choose the MX611dhe with installed hard disk drive.*



Up to 47 ppm



Flexible Input



Finishing Function



Solutions



MX611 de/dhe

## Get More Done. Faster.

Now you can achieve much more in less time. Smoother workflows and faster speeds are just some of the great features that will help your business be more productive.

**Faster Processing** - Improve your print, scan and copy speeds by taking advantage of up to 3 GB of upgradable memory, an 800 MHz dual-core processor and Gigabit Ethernet.

**Reliable Performance** - Easily print up to 15,000 pages per month, plus enjoy fewer maintenance hassles, thanks to our state-of-the-art paper handling.

**Keep Jobs Moving** - With a maximum input capacity of up to 2,300 sheets and an ultra high yield toner cartridge, you won't have to add paper or change cartridges as often.

**Get Work Done Quickly** - Enjoy print speeds up to 47 pages per minute, plus print or copy your first page in as little as 6.5 seconds.

## Look Professional. Work Smart.

Look sharp from the start. Our multifunction printer with its easy-to-use touch screen and impressive speed lets you power through any print job quickly.

**Smart and Easy to Use** - A vibrant 17.8-cm (7-inch) colour touch screen provides access to pre-installed productivity solutions and lets you operate the system through smart and intuitive navigation.

**Front USB Port** - Print without a PC using our convenient USB port that lets you walk up, preview and print PDFs and many other file formats.

**Print on a Wide Range of Media** - With built-in two-sided printing and the ability to print on diverse materials, you can do more for your business and use less paper.

**Innovative Toner That Optimises Performance** - Get greater system performance with Lexmark's Unison™ Toner, which delivers consistent image quality from first print to last.

## Solutions-Capable for a Smarter Workflow.

Our solutions-capable, eco-friendly systems can simplify processes and help you quickly respond to changing business needs, giving you a competitive edge.

**Work Smarter Not Harder** - If you can use a mobile phone application, you can use our pre-loaded solutions. Touch the screen and access shortcuts that let you scan, print or send faxes, emails and other business-critical documents fast.

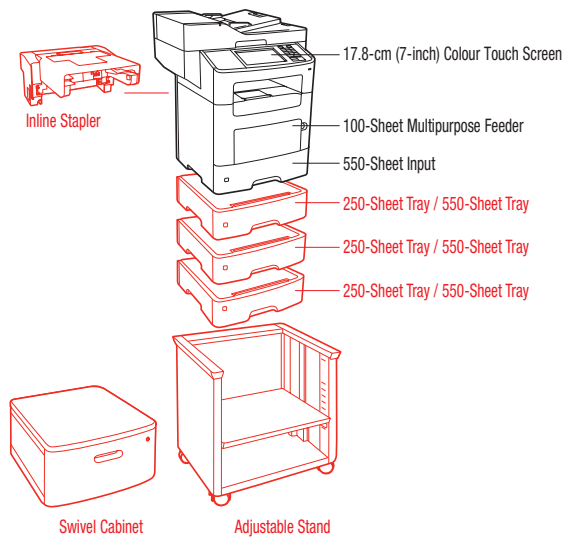
**Save Resources and the Planet** - With pre-installed solutions like Eco-copy, as well as Forms and Favourites, you can print only the forms you need, saving toner, paper and the environment.

**Enjoy Enterprise-level Security** - Now you can authenticate, authorise and audit employee usage, plus protect sensitive data using standard network security protocols.

**Print Anytime and Anywhere<sup>6</sup>** - With this system, you can print from desktops as well as mobile devices that can run applications.

**LEXMARK**  
TM

# Lexmark MX611 Series Monochrome Laser Multifunction Printer



Product specifications	Lexmark MX611 de	Lexmark MX611 dhe
<b>Printing</b>		
Function	Colour Scanning, Copying, Faxing, Network Scanning, Printing	
Display	Lexmark e-Task 17.8 cm (7-inch) colour touch screen	
Print Speed (A4): Up to <sup>4</sup>	Black: 47 ppm	
Time to First Page: As fast as	Black: 6.5 seconds	
Print Resolution	Black: 1200 Image Quality, 1200 x 1200 dpi, 2400 Image Quality, 600 x 600 dpi	
Memory / Processor	Standard: 1024 MB / Maximum: 3072 MB / Processor: Dual Core, 800 MHz	
Hard Disk	Option available	Included in configuration
Recommended Monthly Page Volume <sup>2</sup>	2000 - 15000 pages	
Maximum Monthly Duty Cycle: Up to <sup>3</sup>	150000 pages per month	
<b>Copying</b>		
Copy Speed (A4): Up to <sup>4</sup>	Black: 47 cpm	
Time to First Copy: As fast as	Black: 6.5 seconds	
<b>Colour Scanning</b>		
Scanner Type / ADF Scan	Flatbed scanner with ADF / RADF (reversing Duplex) / 50 pages 75 gsm bond	
Duplex Scan Speed: Up to	A4/Ltr, Black: 20 / 21 sides per minute - A4/Ltr, Colour: 13 / 14 sides per minute	
Simplex Scan Speed: Up to	A4/Ltr, Black: 45 / 48 sides per minute - A4/Ltr, Colour: 30 / 32 sides per minute	
Optical Scanning Resolution	600 X 600 ppi (colour), 1200 X 600 ppi (black)	
<b>Faxing</b>		
Modem Speed	ITU T.30, V.34 Half-Duplex, 33.6 Kbps	
<b>Supplies<sup>5</sup></b>		
Laser Cartridge Yields	2,500 <sup>1</sup> -page Cartridge, 10,000 <sup>1</sup> -page High Yield Cartridge, 20,000 <sup>1</sup> -page Extra High Yield Cartridge	
Imaging Unit Estimated Yield: Up to	60000 pages, based on 3 average letter/A4-size pages per print job and ~ 5% coverage	
Cartridge(s) Shipping with Product	7,500 <sup>1</sup> -page Starter Return Program Toner Cartridge	
<b>Paper Handling</b>		
Included Paper Handling	550-Sheet Input, 100-Sheet Multipurpose Feeder, Integrated Duplex, 250-Sheet Output Bin	
Optional Paper Handling	250-Sheet Tray, 550-Sheet Tray	
Paper Input Capacity: Up to	Standard: 650 pages 75 gsm bond / Maximum: 2300 pages 75 gsm bond	
Paper Output Capacity: Up to	Standard: 250 pages 75 gsm bond / Maximum: 250 pages 75 gsm bond	
Media Types Supported	Card Stock, Envelopes, Paper Labels, Plain Paper, Transparencies, Refer to the Card Stock & Label Guide	
Media Sizes Supported	10 Envelope, 7 3/4 Envelope, 9 Envelope, A4, A5, DL Envelope, Executive, Folio, JIS-B5, Legal, Letter, Statement, Universal, Oficio, A6	
<b>General</b>		
Connectivity (standard)	One Internal Card Slot, USB 2.0 Specification Hi-Speed Certified (Type B), Gigabit Ethernet (10/100/1000), Front USB 2.0 Specification Hi-Speed Certified port (Type A), Rear USB 2.0 Specification Hi-Speed Certified port (Type A)	
Optional Network Ports / Optional Local Ports	Internal MarkNet N8350 802.11b/g/n Wireless / RS-232C Serial Interface Card, Parallel 1284-B Interface Card	
Noise Level, Operating	Print: 55 dBA / Copy: 56 dBA / Scan: 55 dBA	
Product Warranty	1-Year Onsite Response, Next Business Day	
Size (mm. - H x W x D) / Weight (kg)	561 x 489 x 479 mm / 23.6 kg	

<sup>1</sup> Average standard page yield value declared in accordance with ISO/IEC 19752. <sup>2</sup> "Recommended Monthly Page Volume" is a range of pages that helps customers evaluate Lexmark's product offerings based on the average number of pages customers plan to print on the device each month. Lexmark recommends that the number of pages per month be within the stated range for optimum device performance, based on factors including: supplies replacement intervals, paper loading intervals, speed, and typical customer usage. <sup>3</sup> "Maximum Monthly Duty Cycle" is defined as the maximum number of pages a device could deliver in a month using a multishift operation. This metric provides a comparison of robustness in relation to other Lexmark printers and MFPs. <sup>4</sup> Print and copy speeds measured in accordance with ISO/IEC 24734, excludes first set of test documents. For more information see: [www.lexmark.com/ISOspeeds](http://www.lexmark.com/ISOspeeds). <sup>5</sup> Product functions only with replacement cartridges designed for use in a specific geographical region. See [www.lexmark.com/regions](http://www.lexmark.com/regions) for more details. <sup>6</sup> For more information on Lexmark Mobile Solutions see: [http://www1.lexmark.com/en\\_US/solutions/business-solutions/mobile-print/index.shtml](http://www1.lexmark.com/en_US/solutions/business-solutions/mobile-print/index.shtml)

